

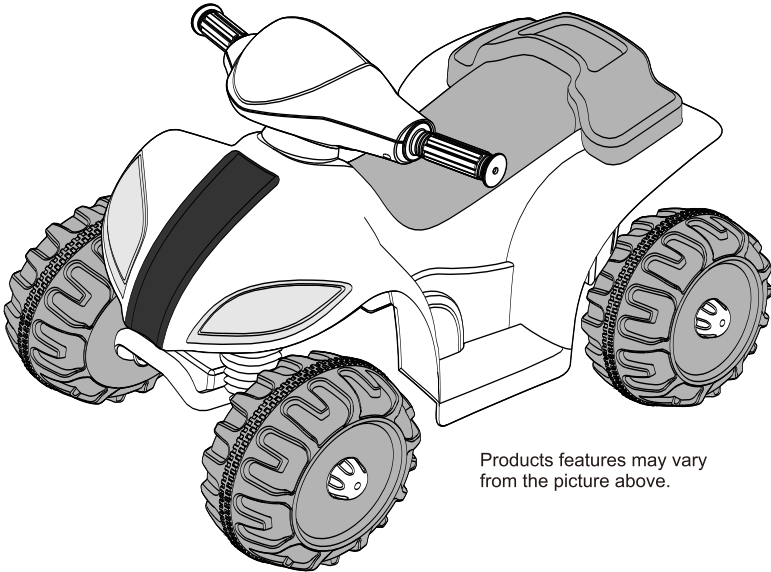
3 to 6
Years

Carrying Capacity
Upto 25 kg

User's Manual

Babyhug Battery Operated Rideon

Style Code - B6BR030



Products features may vary
from the picture above.

babyhug[™]

battery operated rideon

This product is BIS certified: IS9873 & IS15644

- Adult assembly required
- Read and understand this entire manual before using!
- Please keep this manual for future reference as it contains important information
- Before first time use, charge the battery for at least 4-6 hours.

Table of contents

1. About Our Product.....
2. The Specification
3. Parts
4. Parts Diagram.....
5. Assembly Steps.....
6. Function of the Vehicle
7. Charging The Vehicle.....
8. Fuse
9. Trouble Shooting Guide.....
10. Maintaining Your Vehicle.....
11. Disposal Of Battery.....

About our product

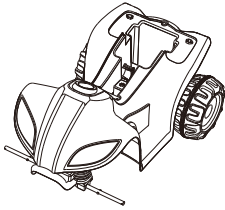
Thank you for your purchasing our Products, we always keep pursuing being outstanding and designing comfortable and safe ride-on car for children. It will provide your children a wonderful childhood and your family lots of happiness.

Please read the manual before using this product. You can get correct operation methode, simple and easy installation procedure. Moreover, it can instruct you how to prevent improper way of operation, because any incident can result in serious injury. Please read it carfully to make sure that all children obey all warning, cautions, instructs and safety topics and assure young riders are able to safely use this product.

The Specification

Suitable age:	3-6 Years	Battery:	6V4AH x1
Capacity:	Under 25kgs	Size of car:	63. 5*42. 5*44. 5cm
Speed:	2.5 M/H	Charging times:	Approximately 300 times
Charger:Input:	Depend on local voltage	Output:	DC6V 500mA
Charging time:	8-10HOURS	Fuse:	10A

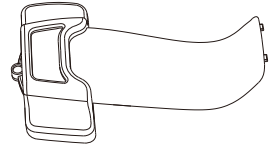
Parts



1. Vehicle Body x1



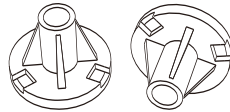
2. Handle Bar x1



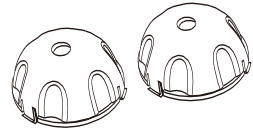
3. Seat x1



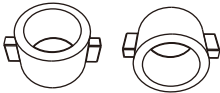
4. Wheels x2



5. Orientation Sets x2



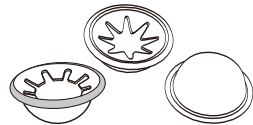
6. Wheel Covers x2



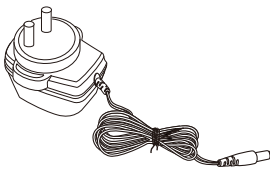
7. $\Phi 10$ Bushes x2



8. $\Phi 10$ Washers x4

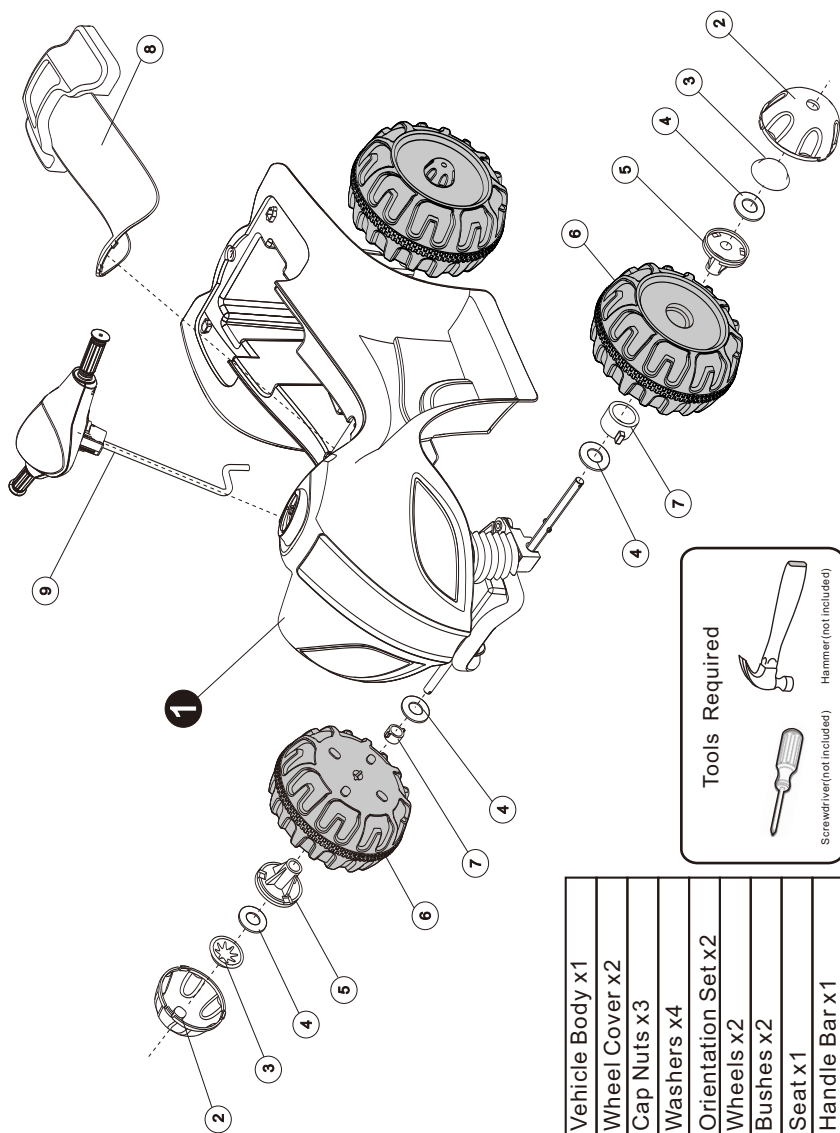


9. $\Phi 10$ Cap Nuts x3



10. Charger

Parts Diagram



①	Vehicle Body x1
②	Wheel Cover x2
③	Cap Nuts x3
④	Washers x4
⑤	Orientation Set x2
⑥	Wheels x2
⑦	Bushes x2
⑧	Seat x1
⑨	Handle Bar x1

Tools Required

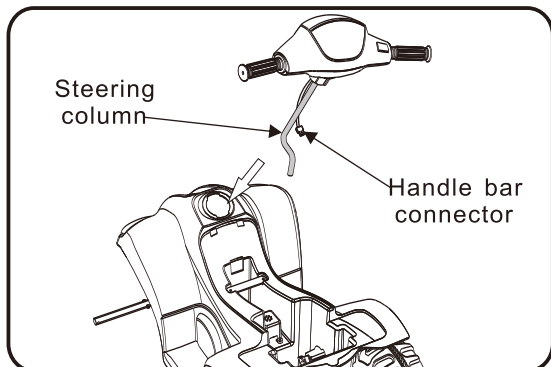


Screwdriver(not included)



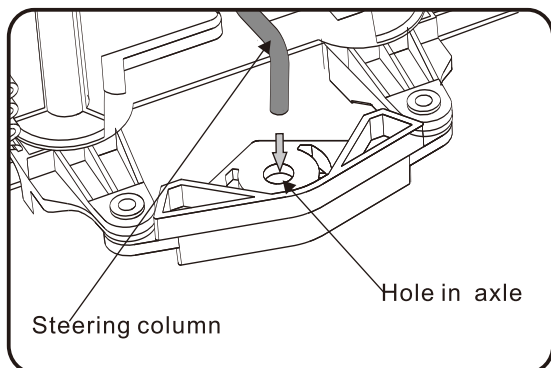
Hammer(not included)

Assembly Steps



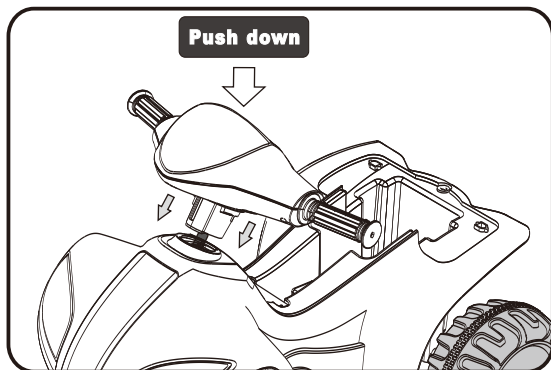
Assemble handle bar (one)

- Fit the steering column and the handle bar connector on the handle bar down through the large round opening in the vehicle.



Assemble handle bar (two)

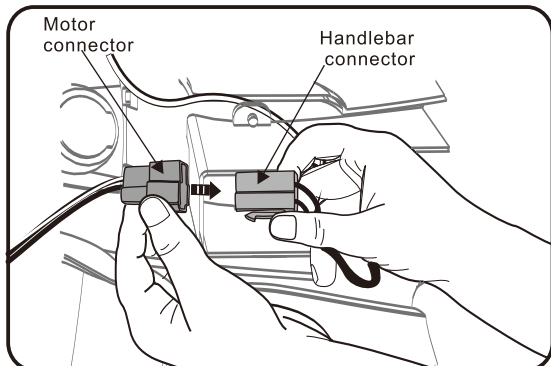
- Fit the end of the steering column through the hole in the front axle.



Assemble handle bar (three)

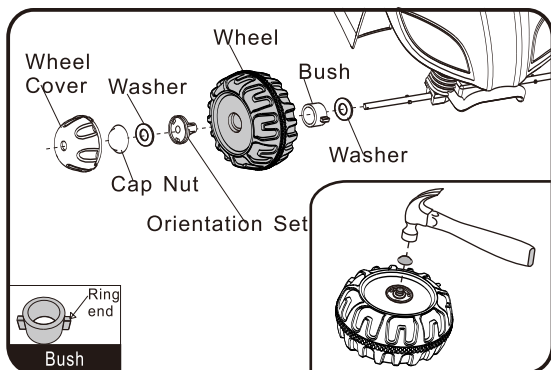
- Press the handle bar firmly until it is securely locked in the slot of the vehicle.

Assembly Steps



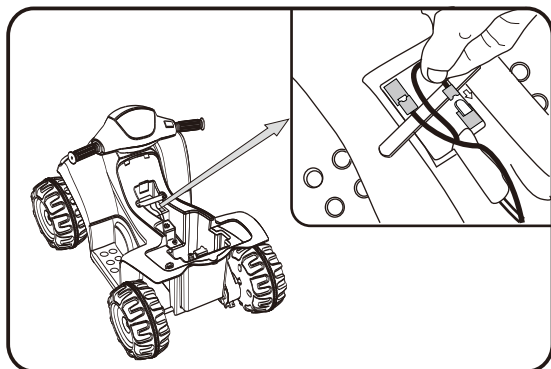
Assemble handle bar (four)

- Plug the handlebar connector into the motor connector.



Assemble front wheels

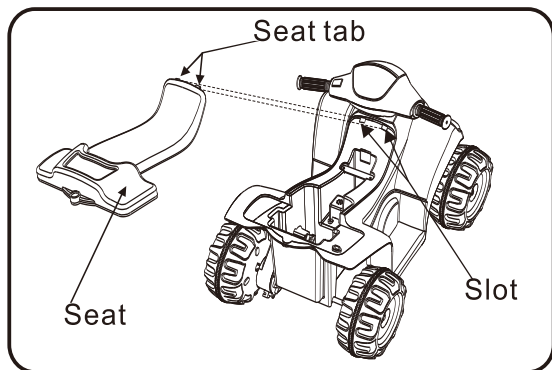
- Firstly, slide the washers on the front axle.
- Followed by a bush (ring end first), then wheels, orientation set and washer.
- Gently use a hammer to tap on the cap nuts.
- Lastly, install the wheel covers.
- Remember to follow the same steps for both sides.



Connect battery wires

- Connect the battery wires. (Red to red, black to black)

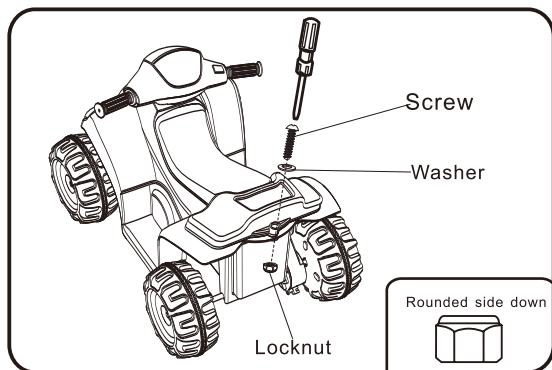
Assembly Steps



Assemble

seat (one)

- Insert the front tab on the seat into the slot in the vehicle.

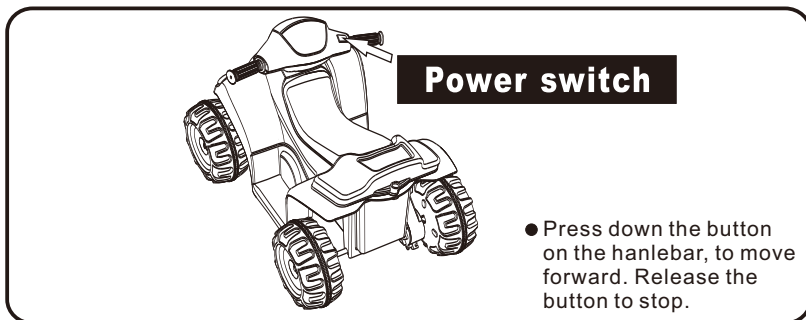


Assemble

seat (two)

- Use a saddle screwdriver to tighten the locknut. (Rounded side down) the seat and vehicle body.

Function of the Vehicle



- Press down the button on the handlebar, to move forward. Release the button to stop.

Charging The Vehicle

The charging input plug in the back of vehicle. Connect charger plug to battery input plug to charge the battery.

Charging the battery should only be done by an adult.

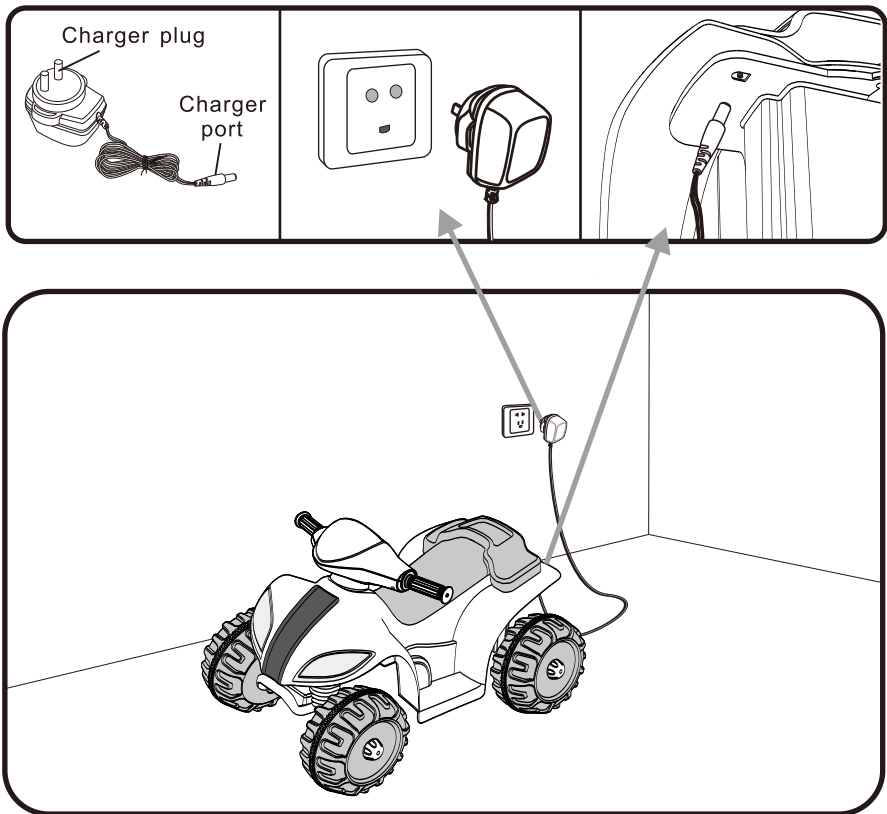
Caution: You must charge the 6-Volt battery for a "Full" 10 hours prior to use.

Never charge the battery longer than 20 hours.

Failure to charge the battery as directed will cause permanent damage to the battery.

After each use, or once a month minimum, recharge the battery of your vehicle for 8-10 hours. Do not charge the battery longer than 20 hours.

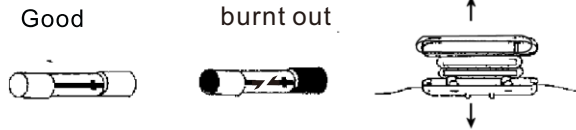
NEVER run battery completely flat.



Plug the charger port into the input socket. As shown
Plug the charger plug into a wall outlet. As shown.

Fuse

When the motorcycle won't work or can not be charged, please check the fuse first and see whether it is burnt out.



Pay attention: Fuse 10 A

Trouble Shooting Guide

Problem	Possible Cause
(1).The 6-volt battery will not recharge	<ol style="list-style-type: none"> 1. Battery and charger connector is loose. Make sure the battery connections and the adaptor connector is firmly plugged in. 2.The 6-volt battery will not recharge. Make sure the charger is plugged into a wall outlet and the power flow to the outlet is on. 3.Charger is not plugged in. Make sure the charger is plugged into a wall outlet and the power flow to the outlet is on. 4. Check and replace fuse if required.
(2).The vehicle does not run	<ol style="list-style-type: none"> 1.The battery may be low on power. After each use, or once a month minimum, charge the battery for a "full" 10 hours. DO NOT leave the battery on the charger for more than 20 hours. 2.Thermal fuse has tripped. Replace the trpped fuse by another spare one. 3.Wheel nuts are loose. If the nuts are not tight, the wheels will not engage the drive gears. Tighten the wheel nuts with a wrench.

<p>(2).The vehicle does not run</p>	<p>4. Battery connection or wires are loose. Make sure the motor connector is firmly plugged into the battery.</p> <p>5. Battery is dead. Have you properly maintained the battery according to the directions? Is the battery old? Your battery may need to be replaced.</p> <p>6. Electrical system is damaged. Water may have corroded the system, or loose dirt, gravel or sand might have jammed the switch. Check.</p> <p>7. Motor is damaged. The vehicle needs professional repair.</p> <p>8. Check the fuse.</p>
<p>(3) .The vehicle does not run very long.</p>	<p>1. Battery may be undercharged. You may not be charging the battery long enough. After each use, or once a month minimum, charge the battery for a "full" 10 hours. DO NOT leave the battery on the charger for more than 20 hours.</p> <p>2. Battery is old. The 6-volt battery will eventually lose the ability to hold a charge. Depending on the amount of use, and varying conditions, the battery should operate for one to two years. Replace the battery with a new 6-volt battery.</p>
<p>(4). Battery buzzes or gurgles when charging.</p>	<p>1. This is normal and not a cause for concern. It may also be silent when charging, which is also normal.</p>
<p>(5). Charger feels warm when recharging battery.</p>	<p>1. This is normal and not a cause for concern.</p>
<p>(6). The vehicle runs sluggishly or beeping occurs.</p>	<p>1. Battery needs recharging. After each use, or once a month minimum, charge the battery for a "full" 10 hours. DO NOT leave the battery on the charger for more than 20 hours. low battery signal will sound when the battery is running low on power.</p> <p>2. Battery is old. The 6-volt battery will eventually lose the ability to hold a charge. Depending on the amount of use, and varying conditions, the battery should operate for one to two years. Replace the battery with a new 6-volt battery.</p>

<p>(6).The vehicle runs sluggishly or beeping occurs.</p>	<p>3.Vehicle is overloaded. Maximum weight is 25 KGS. DO NOT overload the vehicle. ONLY one rider at a time.</p> <p>4.Driving in harsh conditions. Drive only on level ground. The vehicle will operate best on concrete or other firm surfaces. DO NOT drive up or down steep slopes, in mud or on loose dirt or gravel.</p>
<p>(7).Difficulty Shifting into forward or reverse</p>	<p>1.Trying to shift while the vehicle is moving. The vehicle MUST come to a complete stop before shifting into reverse otherwise damage to the gears and motor WILL occur.</p>
<p>(8).Loud grinding or clicking noises coming from motor or gear box.</p>	<p>1.Gears are stripped or broken. The vehicle needs professional repair.</p>
<p>(9).The vehicle needs a push to go forward.</p>	<p>1.Poor contact of wires or connectors. Make sure the battery connector is firmly plugged into the battery. check for loose wires around the motor and reconnect if necessary. 2."Dead spot" on motor. A"dead spot" means the electric power is not being delivered to the terminal connection. the vehicle needs professional repair.</p>

Maintaining Your Vehicle

- Occasionally use a lightweight oil to lubricate moving parts such as wheels and the steering linkages.
- Park the vehicle indoors or cover it with a tarp to protect it from wet weather.
- Keep the vehicle away from sources of heat, such as stoves and heaters. Plastic parts may melt.
- **ADULTS ONLY** : Recharge the battery after each use. Recharge the battery at least once a month when the vehicle is not being used. See pages 8 for instructions about recharging the battery.
- **DO NOT** wash the vehicle with a hose. **DO NOT** wash the vehicle with soap and water.
DO NOT drive the vehicle in rainy or snowy weather. Water will damage the motor, electric system and battery.
- Clean the vehicle with a soft, dry cloth. To restore shine to plastic parts, use a non-wax furniture polish. **DO NOT** use car wax. **DO NOT** use abrasive cleaners.
- **DO NOT** drive the vehicle in loose dirt, sand or fine gravel, which could damage moving parts, motors or the electric system.

Disposal Of Battery

Disposal Of Battery



- Your sealed lead-acid battery must be recycled or disposed of in an environmentally sound manner.
- Do not dispose of your lead-acid battery in a fire. The battery may explode or leak.
- Do not dispose of a lead-acid battery in your regular, household trash. The incineration, land filling or mixing of sealed lead-acid batteries with household trash is prohibited by law.
- Return an exhausted battery to your local approved lead-acid battery recycler, such as a local seller of automotive batteries.
- Contact your local waste management officials for other information regarding the environmentally sound recycling and disposal of lead-acid batteries.

Imported & Marketed by

Brainbees Solutions Pvt. Ltd.
Corporate & Registered Office Address:
Rajashree Business Park, Plot No: 114,
Survey No.338 ,Tadiwala Road,
Near Sohrab Hall, Pune 411001

Customer Care No. : 020 46608179

E-mail: customercare@brainbees.com

Customer Care Address:

Same as Importer's address